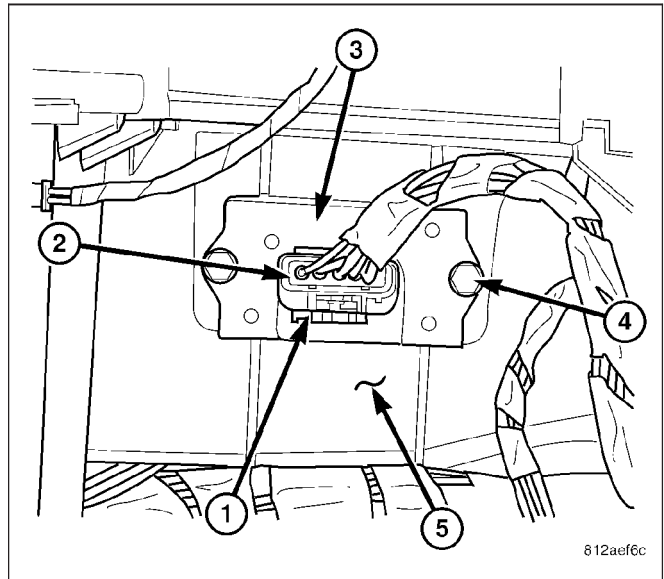


INSTALLATION

1. Position the blower motor resistor (3) into the HVAC housing (5).
2. Install the two screws (4) that secure the blower motor resistor to the HVAC housing. Tighten the screws to 2 N·m (17 in. lbs.).
3. Connect the wire harness connector (2) to the blower motor resistor and engage the wire harness connector locking tab (1).
4. Install the glove box into the instrument panel (Refer to 23 - BODY/INSTRUMENT PANEL/ GLOVE BOX - INSTALLATION).
5. Reconnect the negative battery cable.

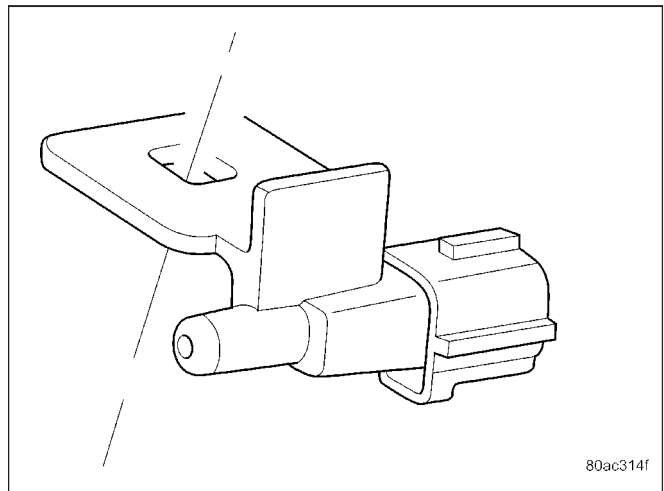


812aef6c

SENSOR-AMBIENT AIR TEMPERATURE

DESCRIPTION

The ambient air temperature sensor is a variable resistor that monitors the air temperature outside of the vehicle. The ATC system uses the sensor data to maintain optimum cabin temperature levels. The ambient air temperature sensor is mounted onto the bottom of the front bumper beam.



80ac314f

OPERATION

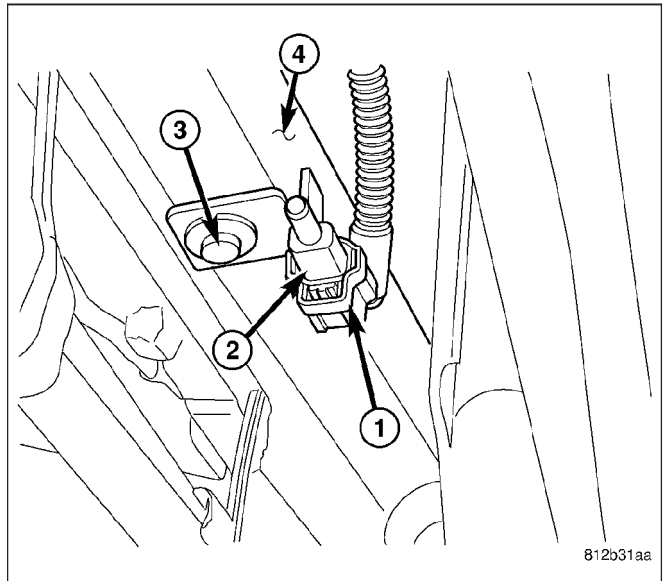
The ambient air temperature sensor is a variable resistor that operates on a 5-volt reference signal sent by the front control module (FCM). The ambient air temperature sensor is connected to the FCM through a two-wire lead and connector of the vehicle wire harness. The ambient air temperature sensor changes its internal resistance in response to changes in the outside air temperature, which either increases or decreases the reference signal voltage read by the FCM. The FCM converts and broadcasts the sensor data over the controller area network (CAN) B bus, where it is read by the ATC A/C-heater control and other vehicle control modules.

The ambient air temperature sensor is diagnosed using the scan tool. Refer to 9 - Engine Electrical Diagnostics for more information.

The ambient air temperature sensor cannot be adjusted or repaired and, if faulty or damaged, it must be replaced.

REMOVAL

1. Disconnect and isolate the negative battery cable.
2. Raise and support the vehicle.
3. Remove the front end splash shields (Refer to 23 - BODY/EXTERIOR/FRONT END SPLASH SHIELDS - REMOVAL).
4. Disconnect the wire harness connector (1) from the ambient air temperature sensor (2).
5. Remove the push pin (3) that secures the ambient air temperature sensor to the bottom of the front bumper beam (4).
6. Remove the ambient air temperature sensor from the front bumper beam.



INSTALLATION

1. Position the ambient air temperature sensor (2) onto the bottom of the front bumper beam (4).
2. Install the push pin (3) that secures the ambient air temperature sensor to the front bumper beam.
3. Connect the wire harness connector (1) to the ambient air temperature sensor.
4. Install the front end splash shields (Refer to 23 - BODY/EXTERIOR/FRONT END SPLASH SHIELDS - INSTALLATION).
5. Lower the vehicle.
6. Reconnect the negative battery cable.

