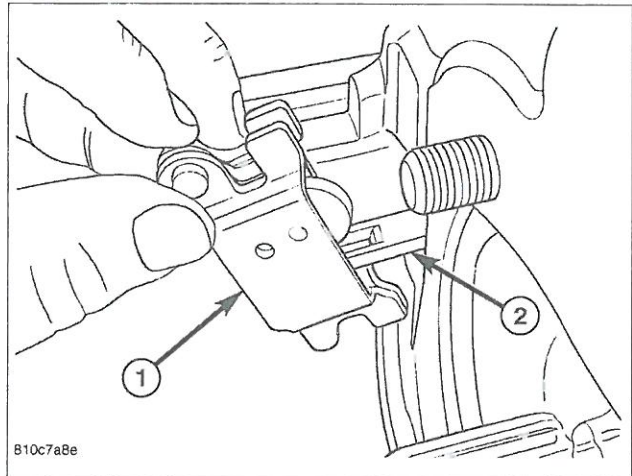
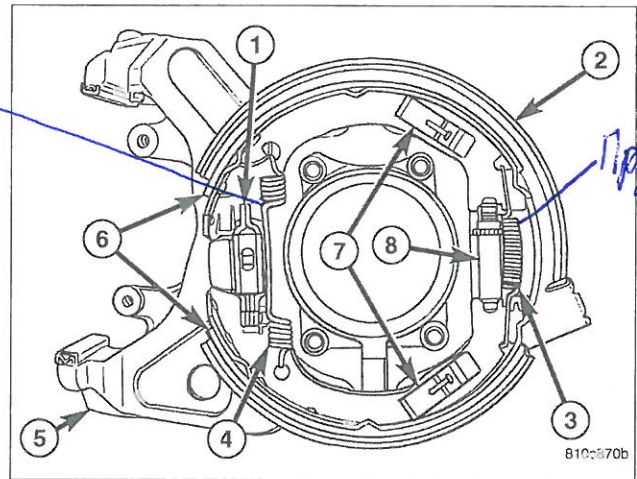


9. Remove shoe actuator lever (1) from end of cable (2).



10. Remove lower brake shoe hold-down clip and pin (7).
11. Remove lower shoe (6). *съемником*
12. Inspect springs, adjuster, lever and aluminum shoe anchor pin for wear or damage. Replace as necessary.



INSTALLATION

Note: The following procedure may be used to install shoes on either side of the vehicle.

Note: Inspect springs, adjuster, lever and aluminum shoe anchor pin for wear or damage prior to installation. Replace as necessary.

1. Install lower brake shoe hold-down pin (7) through rear of support (2).
2. Install lower shoe (6) against support plate (2).
3. Install lower brake shoe hold-down clip (7).

