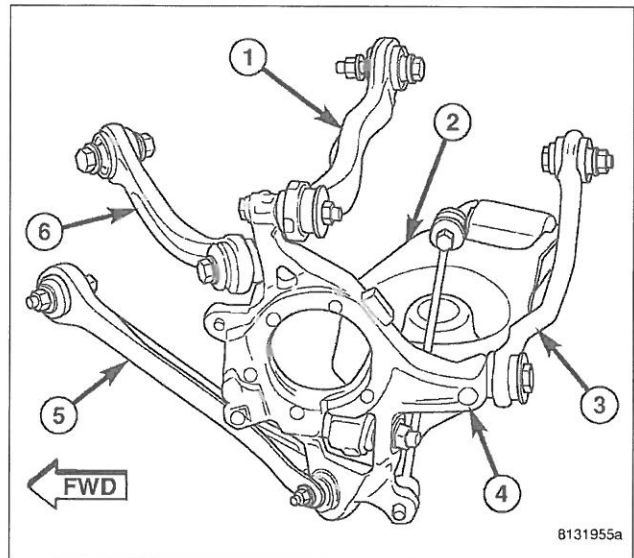


17. Remove bolt and nut fastening compression link (5) to knuckle (4).
18. Remove bolt fastening toe link (3) to knuckle (4).
19. Remove nut and bolt fastening stabilizer link to knuckle (4).
20. Remove nut and bolt fastening tension link (6) to knuckle (4).
21. Remove nut and bolt fastening camber link (1) to knuckle (4).
22. Remove knuckle (4).
23. Remove hub mounting bolts from knuckle.



## INSTALLATION

1. Install four hub mounting bolts through knuckle from inboard side allowing ends to protrude from opposite side.
2. Install bolt and nut fastening camber link (1) to knuckle (4) as shown. **Do not tighten bolt at this time.**
3. Install bolt and nut fastening tension link (6) to knuckle (4) as shown. **Do not tighten bolt at this time.**
4. Install bolt and nut fastening stabilizer link to knuckle (4). **Do not tighten bolt at this time.**
5. Install bolt fastening toe link (3) to knuckle (4). **Do not tighten bolt at this time.**
6. Install bolt and nut fastening compression link (5) to knuckle (4). **Do not tighten bolt at this time.**

