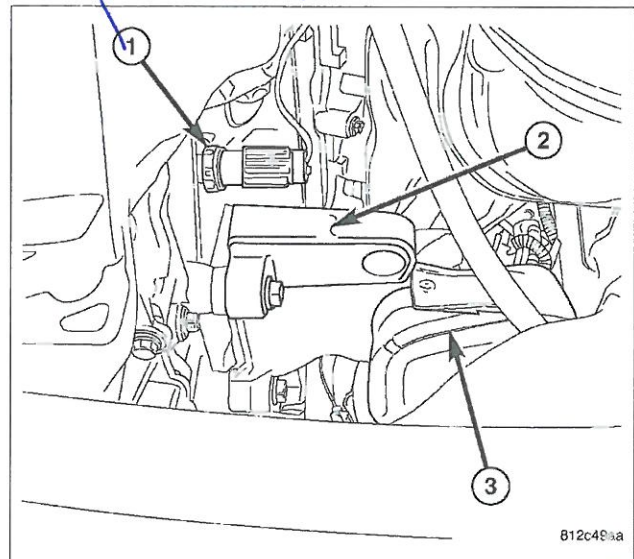


REMOVAL

1. Raise vehicle on hoist.
2. Remove lower splash shield.
3. Disconnect oil pressure switch (1) electrical connector.
4. Position an oil collecting container under switch location.
5. Remove switch by unscrewing from the engine block.

до тех пор, пока не вытечет масло. Находится справа на блоке двигателя по ходу машины.

**INSTALLATION**

1. Apply Mopar® Thread Sealant to the switch threads.
2. Install oil pressure switch (1).
3. Connect electrical connector.
4. Lower vehicle.
5. Start engine and check for leaks.
6. Check engine oil level and adjust as necessary.

