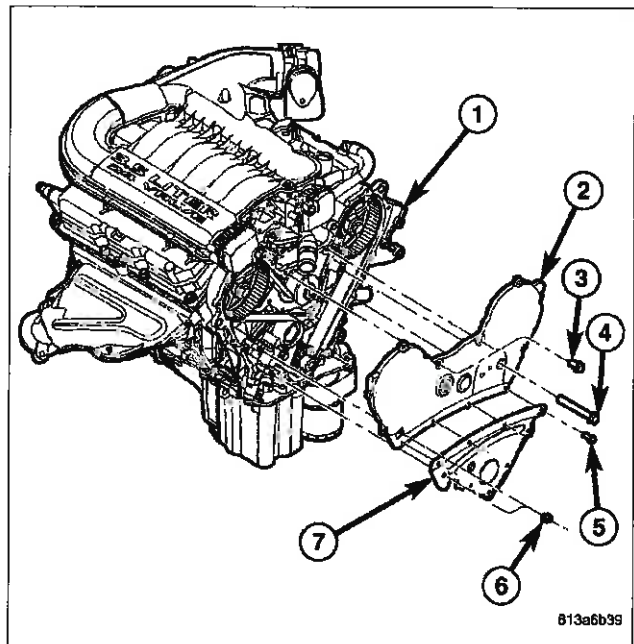


9. Lower the vehicle.
10. Remove the upper timing belt cover bolts and remove front timing belt cover.



## INSTALLATION

1. Exchange the accessory drive belt pulley if necessary. Tighten bolt to 61 N·m (45 ft.lbs.).
2. Install upper front timing belt cover.
3. Install lower timing belt front cover.
4. Tighten the timing cover bolts as follows:
  - M6 bolts - 12N·m (105 in.lbs.)
  - M8 bolts - 28N·m (250 in.lbs.)
  - M10 bolts - 54N·m (40 lbs.ft.)
5. Install power steering pump fasteners. Tighten bolts to 23 N·m (200 lbs. in.).
6. Install crankshaft damper(Refer to 9 - ENGINE/ENGINE BLOCK/VIBRATION DAMPER - INSTALLATION).
7. Install accessory drive belt tensioner (Refer to 7 - COOLING/ACCESSORY DRIVE/BELT TENSIONERS - INSTALLATION). Torque fastener to 28 N·m (250 in. lbs.).
8. Install accessory drive belt(Refer to 7 - COOLING/ACCESSORY DRIVE/DRIVE BELTS - INSTALLATION).
9. Lower vehicle.
10. Connect negative battery cable.

