

A



x10

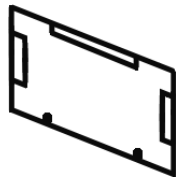
C



x6

34201631

D



B



x2

E



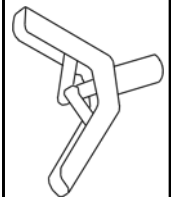
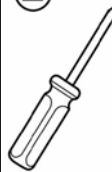
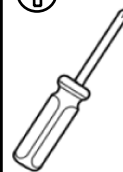
5.5 mm

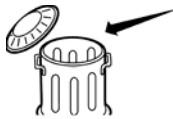
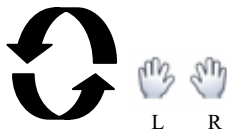
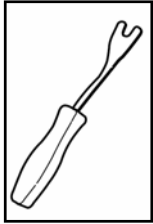


7 mm

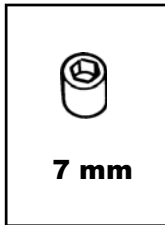
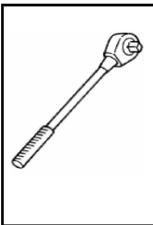
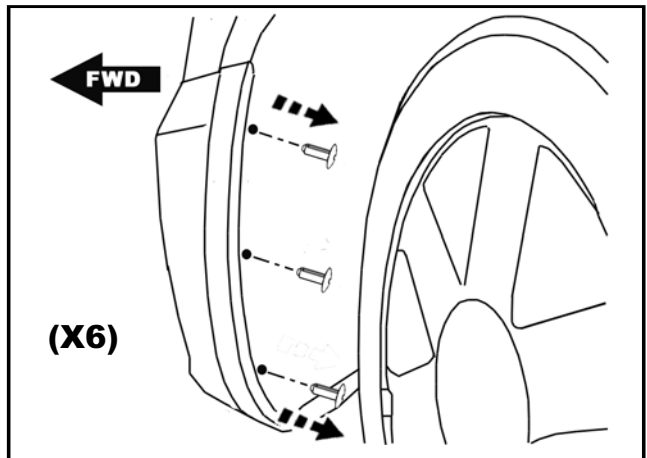


10 mm

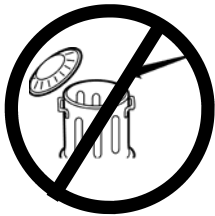




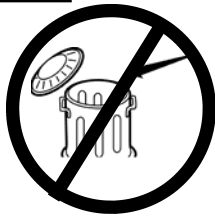
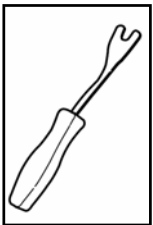
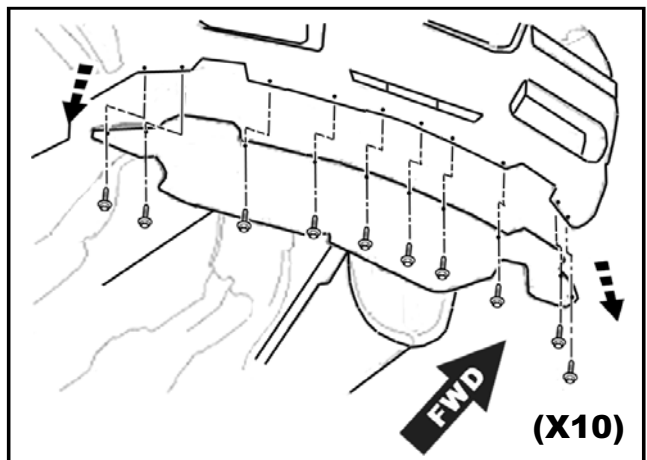
1



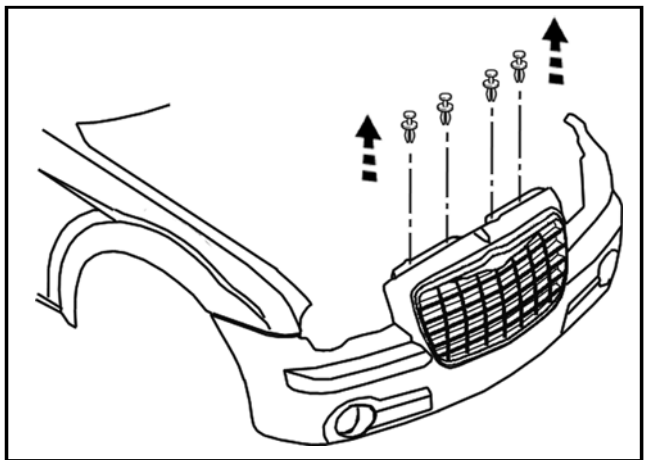
7 mm

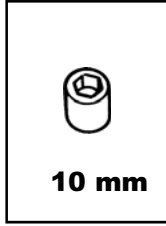
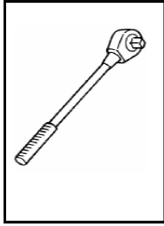


2

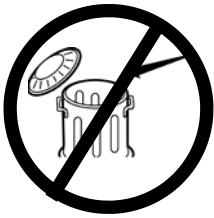
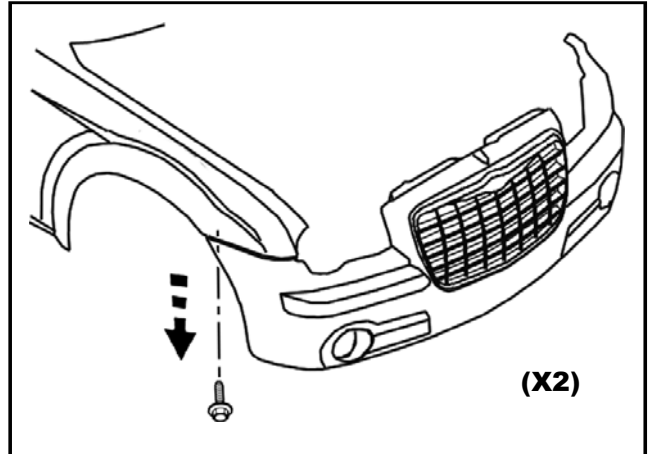
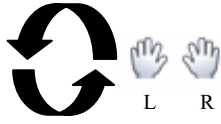


3

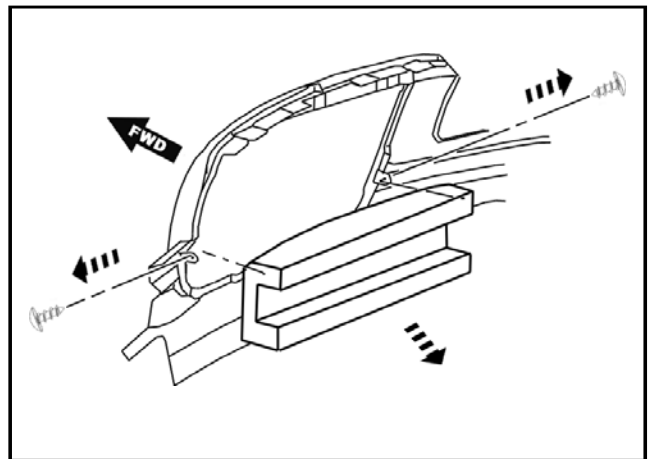
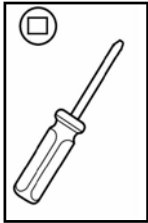




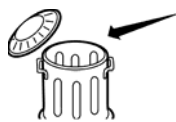
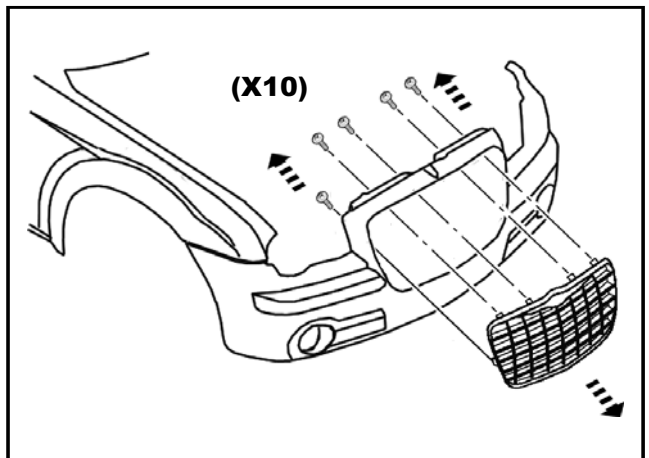
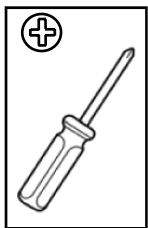
10 mm



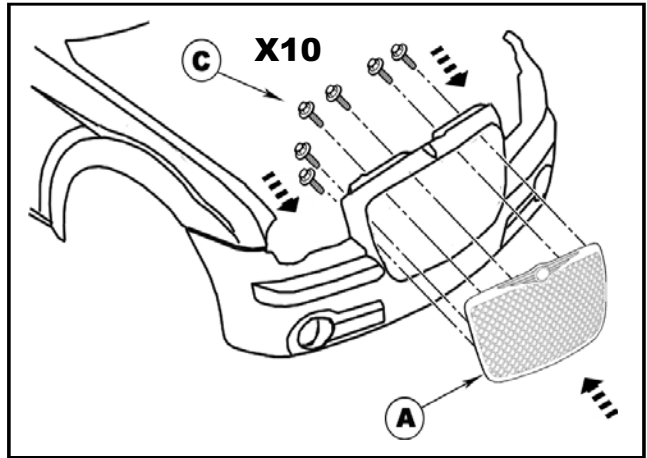
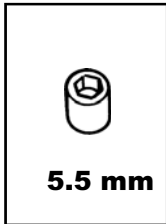
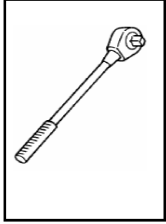
4



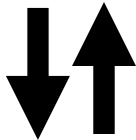
5



6



7

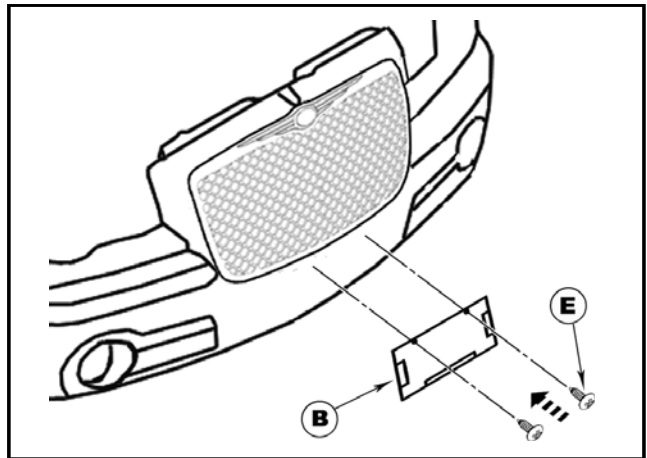
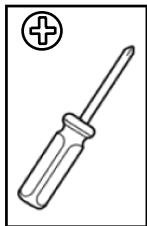


5



1

8



9